

Kofax Import Connector

2.2.0

Installation Guide



© 2009 - 2013 Kofax, Inc., 15211 Laguna Canyon Road, Irvine, California 92618, U.S.A. All rights reserved.
Use is subject to license terms.

Portions © 2010 - 2013 Kofax Austria GmbH. All rights reserved.

Third-party software is copyrighted and licensed from Kofax's suppliers.

THIS SOFTWARE CONTAINS CONFIDENTIAL INFORMATION AND TRADE SECRETS OF KOFAX, INC. USE, DISCLOSURE OR REPRODUCTION IS PROHIBITED WITHOUT THE PRIOR EXPRESS WRITTEN PERMISSION OF KOFAX, INC.

Kofax, the Kofax logo, and Kofax Capture Import Connector are trademarks or registered trademarks of Kofax, Inc. in the U.S. and other countries.

U.S. Government Rights Commercial software. Government users are subject to the Kofax , Inc. standard license agreement and applicable provisions of the FAR and its supplements.

You agree that you do not intend to and will not, directly or indirectly, export or transmit the Software or related documentation and technical data to any country to which such export or transmission is restricted by any applicable U.S. regulation or statute, without the prior written consent, if required, of the Bureau of Export Administration of the U.S. Department of Commerce, or such other governmental entity as may have jurisdiction over such export or transmission. You represent and warrant that you are not located in, under the control of, or a national or resident of any such country.

DOCUMENTATION IS PROVIDED "AS IS" AND ALL EXPRESS OR IMPLIED CONDITIONS, REPRESENTATIONS AND WARRANTIES, INCLUDING ANY IMPLIED WARRANTY OF MERCHANTABILITY, FITNESS FOR A PARTICULAR PURPOSE OR NON-INFRINGEMENT, ARE DISCLAIMED, EXCEPT TO THE EXTENT THAT SUCH DISCLAIMERS ARE HELD TO BE LEGALLY INVALID.

Contents

Legal Notice	2
Preface	5
Introduction	5
Related Documentation	5
Help	5
Release Notes	5
Overview	7
System Requirements	9
System Limits	9
Monitor Resolution	9
Disk Usage	9
Supported Operating Systems	9
Required Software	9
Required Fax over IP Infrastructure	10
Supported Third Party Fax Servers	10
Supported Formats for Document Conversion	11
Deployment Scenarios	13
Standalone Scenario	13
Load-Balancing Scenario	13
Failover Scenario	14
High Performance Scenario	14
Installation	15
Installing Message Connector	15
Installing KC Plug-In	16
Installing Microsoft Office	16
Installing OpenOffice.org Extension	16
Installing Total HTML ConverterX	17
Third-Party Software	17
Windows Failover Clustering	19
Installing Message Connector on a Cluster (Shared Application)	19
Installing Message Connector on a Cluster (Shared Storage)	20
Installing KC Plug-In on a Cluster	20
Configuring Clustered Service and IP Address	21
Availability of Clustered Service	21
Uninstalling Message Connector on a Failover Cluster	21
Network Load Balancing	23

Restrictions 24

Installing Windows NLB 24

Installing Multiple Message Connectors on One Computer26

Licensing27

Upgrade 29

 Using New Paths When Upgrading Message Connector 30

 Using New Paths When Upgrading KC Plug-In30

Preface

Introduction

This guide contains essential information about installing Kofax Import Connector

This guide assumes that you have a thorough understanding of Windows standards, applications, and interfaces. It also assumes that you have a thorough understanding of the Internet, your network configuration, and Kofax Capture.

This guide is for system administrators who are installing Kofax Import Connector, or who need a description of the installation procedures, operating requirements, and various deployment scenarios.

Related Documentation

In addition to this *Kofax Import Connector Installation Guide*, the following additional documentation is available:

- Administrator's Guide
- Developer's Guide
- Message Connector Help
- KC Plug-In Help
- Release notes

Help

The online Help systems included in Kofax Import Connector provide online assistance for system administrators and operators alike. You can access online Help from any application window by clicking Help.

Release Notes

Late-breaking product information is available from release notes. You should read the release notes carefully, as they contain information that may not be included in other Kofax Import Connector documentation.

Overview

Kofax Import Connector is an add-on to Kofax Capture responsible for importing messages and files in many electronic formats.

It has two main components:

- Message Connector is usually installed on a standalone computer. It retrieves documents from various sources, converts them to Kofax Capture compatible format and saves them in its internal storage.
- KC Plug-In is installed at the Kofax Capture computer. It connects to one or more Message Connectors and imports documents to Kofax Capture for further processing.

Kofax Import Connector can import messages and files from many sources:

- email messages including attachments using various email protocols (SMTP, POP3, IMAP)
- fax messages (via internal fax over IP server or external fax servers: Kofax Communication Server, RightFax, Biscom)
- files from a network path
- files via web services

This guide provides important information about installing Kofax Import Connector, including:

- Operating requirements that must be met to successfully install Kofax Import Connector
- Preparations, decisions, precautions, settings, and helpful hints that will help you successfully and efficiently install Kofax Import Connector
- Licensing information
- Information about various deployment scenarios: failover, scaling, and redundancy options.
- Instructions for upgrading from Kofax Capture Import Connector - Advanced Email and Fax.

System Requirements

Before installing and operating Kofax Import Connector, please read carefully the following requirements.

System Limits

These system limits apply to 64-bit installations. For 32-bit installations, the limits might be lower.

- The maximum size of a message in Message Connector storage is 1024 MB.
- KC Plug-In can handle message up to 400 MB (complete message with all attachments after document conversion, before VRS processing).
- The maximum number of pixels per page when using VRS is 150 megapixel.

Monitor Resolution

The minimum supported display resolution is 1024 x 768.

Disk Usage

Kofax Import Connector requires approximately 200 MB of hard disk space for the application. Additional space is needed for temporary storage of transferred documents. Maximum storage size supported is 64000 MB.

Supported Operating Systems

Kofax Import Connector is supported on the same operating systems as Kofax Capture.

Required Software

Kofax Import Connector is compatible with the following versions of Kofax Capture:

- Kofax Capture 9 with VRS 4.5 SP1
When updating VRS, it is required to manually copy the file `ijl20.dll` from `<programs>\Kofax\Capture\ImgCtls\IJL4TTN2` to `<programs>\Kofax\Capture\ImgCtls\bin`.
- Kofax Capture 10

.NET Framework 3.5 is required for installing and operating Kofax Import Connector.

Kofax Monitor 6.5 can be used to monitor Kofax Import Connector.

For converting Microsoft Office files, one of the following is necessary:

- OpenOffice.org (certified version 3.2)

- Microsoft Office 2007 SP2
- Microsoft Office 2010 (both 32 and 64 bit)
- Microsoft Office 2013 32 bit

For converting HTML files, one of the following is necessary:

- Microsoft Office 2007 SP2
- Microsoft Office 2010 (both 32 and 64 bit)
- Microsoft Office 2013 32 bit
- Total HTML ConverterX

It is strongly recommended to use Internet Explorer to access Message Connector user interfaces.

Note Third-party software like Microsoft Office requires appropriate license. Customers must provide their own licenses, as these are not included in the Kofax Import Connector license.

KC Plug-In and Kofax Communication Server - Capture Connector should not be installed on a single computer. Although the combination might work in test environment, it is not supported for production use.

Required Fax over IP Infrastructure

Kofax Import Connector requires fax over IP environment to receive faxes over IP networks.

- The fax over IP system must support either H.323 or SIP signaling in addition the T.38.
- When using H.323, one of the following connection options must be supported:
 - Integration as H.323 trunk like a standard gateway
 - Integration via H.323 gatekeeper as terminal
 - Integration via H.323 gatekeeper as gateway
- When using SIP, one of the following connection options must be supported:
 - Integration as SIP gateways with optional UserId/Password authentication
 - Integration via SIP registrar with optional UserId/Password authentication

In both cases SIP via UDP/IP must be supported.

- The IP system must support VoIP using G.711 (A-law or u-law)
- The mode changes from Voice to T.38 must be signaled using H.323/SIP message (protocol based switch-over). Proprietary methods like NSE-based switch-over (may be used by gateways connected via SCCP protocol to an IP environment) are not supported.

Contact Kofax staff for more detailed information about compatibility, configuration and hints with various different FoIP systems.

Supported Third Party Fax Servers

Kofax Import Connector can connect and import messages from the following third party fax servers (minimum versions listed):

- RightFax 9.0
- Biscom 5.0.5
- Kofax Communication Server 9.1

Note After installing RightFax client software version 9.x under Windows Server 2012 operating system, you must register two RightFax libraries using the following commands (assuming default installation path):

```
C:\Windows\System32>regsvr32 "C:\Program Files (x86)\RightFax\Shared Files
\rfaxui.dll"
C:\Windows\System32>regsvr32 "C:\Program Files (x86)\RightFax\Shared Files
\rfcomapi.dll"
```

No manual registration is necessary with RightFax client software version 10.x.

Supported Formats for Document Conversion

The table below shows what document formats Kofax Import Connector supports for document conversion with various third-party tools.

	Microsoft Office	OpenOffice.org	Total HTML ConverterX	Tools embedded in Message Connector
Word documents (1)	x	x		
Excel documents (1)	x	x		
PowerPoint documents (1) (4)	x	x		
Text documents (both attachments and email body)	x	x		
OpenOffice documents		x		
HTML, MHT documents (both attachments and email body)	x		x	
EML documents (email header embedded on the first page of email body)				x
Images (bmp, gif, jpg, png, tif) (2)				x
PDF documents (1) (3)				x
compressed documents (zip, rar, 7z, tar, gzip) (1)				x

(1) Conversion of password-protected documents is not supported.

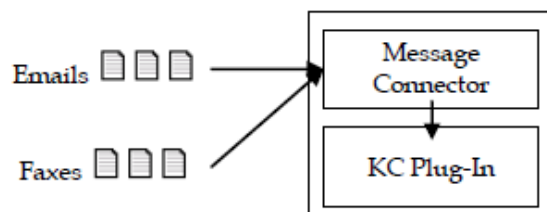
- (2) Images can be converted to the resolutions 200x200 DPI or 300x300 DPI; black & white, grayscale, or color.
- (3) Conversion of PDF documents with XFA forms (Adobe XML Forms Architecture) created with Adobe LifeCycle Designer is not supported.
- (4) Conversion of Powerpoint documents with the extension .ppsx is not supported via OpenOffice.org. You can use Microsoft Office to convert these documents.

Deployment Scenarios

The two main components of Kofax Import Connector, Message Connector and KC Plug-In can be either installed on the same computer or on different computers. One KC Plug-In can connect to multiple Message Connectors. However, a single Message Connector must not be polled by multiple KC Plug-Ins. This section shows some of the most typical scenarios.

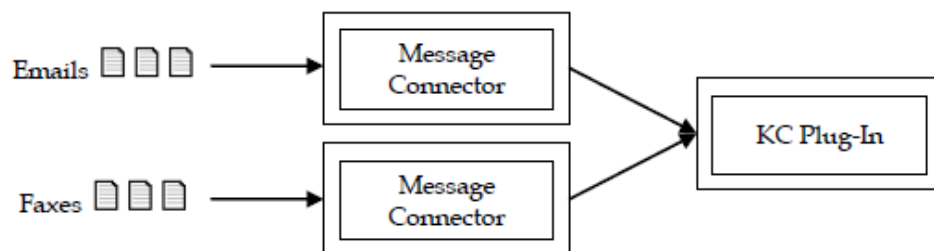
Standalone Scenario

In this scenario, Message Connector and KC Plug-In are installed on the same computer (along with Kofax Capture). This configuration does not offer any load balancing or failover mechanisms. You can also easily run this on virtual environment for tests / demonstrations.



Load-Balancing Scenario

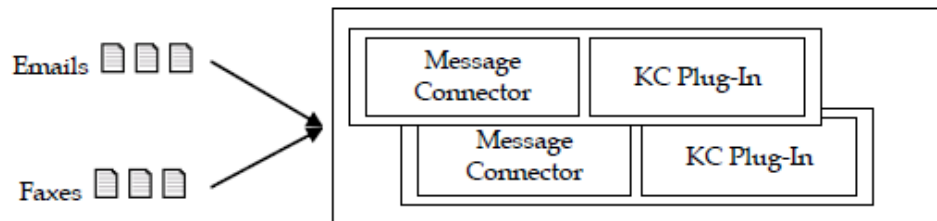
In this scenario, a single instance of KC Plug-In connects to two (or more) Message Connector instances. Each instance runs on a separate computer. Such a configuration would be recommended if you need to process many messages quickly. Especially document conversion can be a time consuming operation. By having multiple Message Connectors, you distribute the conversion load to several computers.



You can also install multiple instances of Message Connector on a single computer. This will not really speed up document processing. However, you can use them to establish a certain prioritization. E.g., a customer needs two electronic imports, SMTP email and fax. Customer expects large volume of email traffic and fewer high-priority faxes. By assigning fax import to a dedicated instance of Message Connector, customer can ensure that faxes are not stuck in the queue behind emails.

Failover Scenario

In this scenario, two or more computers with Kofax Import Connector are grouped in a Windows failover cluster. Documents are routed to the active node. When that fails, the next node continues without longer service interruption.



High Performance Scenario

In this scenario, multiple computers are running in parallel and import documents from folder.

A single server of Kofax Import Connector has been tested with folder imported batches running end-to-end through Kofax Capture at a volume equivalent to roughly 30 million pages/year. Four servers (two of which were running as virtual machines in the same hardware box) scaled in a roughly linear fashion to the equivalent of 125 million pages/year. If you need to handle volume in excess of 30 million pages/year, consider adding additional instances of Kofax Import Connector on additional virtual machines or physical computers.

For optimal performance, install both Message Connector and KC Plug-In on the same computer. Additional performance can be reached by tuning the value of the parameter Prefetched Messages in Message Connector configuration. In our high-performance environment, the value 40 has yielded the best results.

Installation

This chapter contains information and instructions for installing Kofax Import Connector.

When you install Message Connector and KC Plug-In via the splash screen as described in the subsequent sections, setup log files are automatically written to the TEMP folder of the Windows user (e.g., on Windows 7 this is %USERPROFILE%\AppData\Local\Temp): KCPlugin.log, Mc.log, Mc02.log, Mc03.log.

Installing Message Connector

The Message Connector is one of the two main components of Kofax Import Connector. It is responsible primarily for collecting messages from various sources, converting them to a format compatible with Kofax Capture and saving them in its internal storage.

This component may be installed on the Kofax Capture computer. However, for performance reasons, it is generally recommended to install Message Connector on a separate computer that can be accessed by Kofax Capture via network.

With the default configuration Message Connector uses the following port:

- TCP port 25086 – used for web interface between KC Plug-In and Message Connector

Additional ports might be used, depending on the configured features:

- TCP port 25 – used for SMTP
- TCP port 1720 – used for fax over IP via H.323
- UDP port 5060 – used for fax over IP via SIP
- TCP ports 25087, 25088 – used for web services

If other applications use any of these ports, you must change them in Message Connector configuration. Firewall or anti-virus software are known to block traffic on the ports, especially port 25. Review the settings of these products in case of connection problems.

- 1 Start setup.exe from the Kofax Import Connector installation folder.
- 2 Click **Install Message Connector**. The setup wizard is displayed.
- 3 Follow the setup wizard, using default options.
- 4 Wait until Message Connector is installed. Click **Finish**.

It is also possible to install multiple Message Connector instances on the same computer. This configuration is only useful in special situations:

- In a network load balancing scenario (active/active Windows cluster); refer to [Network Load Balancing](#)
- If you want to set up an elementary prioritization of import connectors; refer to [Load-Balancing Scenario](#)

Installing KC Plug-In

The KC Plug-In is one of the two main components of Kofax Import Connector. It is responsible primarily for delivering messages from Message Connector to Kofax Capture.

This component must be installed on the Kofax Capture computer. A supported version of Kofax Capture must be installed before installing KC Plug-In. Refer to [Required Software](#) for information about supported versions of Kofax Capture. When using Kofax Capture Network Server, you can install KC Plug-In either on the central site or on the remote site.

- 1 If you are installing KC Plug-In immediately after installing Kofax Capture, restart the computer before continuing.
- 2 Start setup.exe from the Kofax Import Connector installation folder.
- 3 Click **Install KC Plug-In**. The setup wizard is displayed.
- 4 Follow the setup wizard, using default options.
- 5 Wait until KC Plug-In is installed. Click **Finish**.

Proceed with setting up licenses and configuring KC Plug-In.

Installing Microsoft Office

Kofax Import Connector can use Microsoft Office for document conversion.

- 1 Install a supported version of Microsoft Office on the same computer as Message Connector. Refer to [Required Software](#) for supported versions.
- 2 Make sure that at least one printer is installed (required for Microsoft Excel document conversion).
- 3 Start all applications (Word, Excel, PowerPoint) at least once and respond to the initial prompts.

Note Customers are responsible for providing appropriate licenses for third-party software.


Installing OpenOffice.org Extension

Kofax Import Connector supports the conversion of Microsoft Office documents via Microsoft Office or OpenOffice.org. In case of OpenOffice.org, you need to install the Kofax Import Connector OpenOffice.org extension.

This component has to be installed on the same computer as Message Connector.

- 1 Install a supported version of OpenOffice.org. Refer to [Required Software](#) for supported versions.
- 2 Shut down all OpenOffice.org processes (including Quickstarter).
- 3 Start setup.exe from the Kofax Import Connector installation folder.
- 4 Click **Browse**. Windows Explorer shows the content of the installation folder.
- 5 Go to the folder MC\OpenOfficeExtension and start Install.bat.

- 6 Wait until the extension is installed.

You can manage installed OpenOffice.org extensions by selecting **Tools > Extension Manager** from any OpenOffice.org application menu. The extension list should include “Kofax Conversion for OpenOffice 1.0.” A properly installed extension should have the symbol  next to its name, indicating that this extension was installed for all users.

Installing Total HTML ConverterX

Kofax Import Connector can use Total HTML ConverterX for converting HTML documents (e.g. email messages in HTML format).

- 1 Download the software from <http://www.coolutils.com/TotalHTMLConverterX>. You can start with the trial version for initial testing.
- 2 Install Total HTML ConverterX on the same computer as Message Connector. Use the default installation path.

Note Customers are responsible for providing appropriate licenses for third-party software.

Third-Party Software

The following information applies to third-party software:

- Customers are responsible for providing appropriate licenses for third-party software.
- Install third-party software to the default location.
- Install the versions specified in [Required Software](#).

Windows Failover Clustering

Message Connector can run in a Windows Server 2008 (or R2) failover cluster. This ensures that if one computer in a cluster fails, another continues automatically without any manual steps or prolonged service interruption.

There are two possible installation options:

- Entire Message Connector installed on the shared disk (recommended).
- Only Message Connector storage installed on the shared disk.

The following prerequisites must be met:

- Windows Server 2008 (or R2) failover cluster must be installed and configured.
A shared disk with 1 GB or more for the Message Connector. The shared disk must be explicitly owned by Message Connector; it will not be available for other applications.
- Third-party applications needed for document conversion, e.g. Microsoft Office, OpenOffice.org, or TotalHtml must be installed on all cluster nodes. Make sure to install these applications to the same local path.

KC Plug-In can also run in a failover cluster.

Installing Message Connector on a Cluster (Shared Application)

- 1 Stop all cluster nodes except one.
- 2 Log on to the cluster node and install Message Connector on the shared disk.
- 3 If this is the first node:
 - a Start the Message Connector Configuration utility.
 - b In the Storage File field (General tab), type the path and name of the storage file on the shared disk.
 - c It is recommended to change the Trace Location (Trace Settings tab) to the shared disk as well.
 - d Save the configuration.
- 4 Stop the Message Connector service.
- 5 Change the Windows user under which Message Connector is running. The user must be a domain user with local administrator rights (same user for all cluster nodes).
- 6 Stop the cluster node.
- 7 Repeat steps 1, 2, 4, 5, and 6 for all other nodes.
- 8 Continue with [Configuring Clustered Service and IP Address](#).

Message Connector configuration behaves differently when running in a clustered environment:

- When Message Connector is installed in shared application mode, the shortcuts to “Message Connector Configuration” and “Message Connector Monitor” in the start menu may only be run on the cluster node that is the current owner of the clustered Message Connector service. The shared disk with the Message Connector working folder is only available to this one cluster node.

Do not start the configuration shortcut on other than the active node!

To prevent erroneous situations, it is recommended to use remote desktop connection to the cluster and start the configuration tool there. For the remote connection, use the IP address described in [Configuring Clustered Service and IP Address](#).

- When the Message Connector runs as a clustered service, the Message Connector Configuration application cannot restart the service, because the service is under control of the cluster. Simply save configuration changes, then take the service offline via Failover Cluster Management, and bring it online again.

Installing Message Connector on a Cluster (Shared Storage)

- 1 Log on to the cluster node and install Message Connector locally.
- 2 Start Message Connector Configuration utility. In the Storage File field (General tab), type the path and name of the storage file on the shared disk. It is recommended to change the Trace Location (Trace Settings tab) to the shared disk as well.
- 3 Change the Windows user under which Message Connector is running. The user must be a domain user with local administrator rights (same user for all cluster nodes).
- 4 Repeat steps 1 and 3 for all nodes.
- 5 Continue with [Configuring Clustered Service and IP Address](#).

Message Connector configuration behaves differently when running in a clustered environment:

- When Message Connector is installed in shared storage mode, changes in Message Connector configuration must be performed on all nodes.
- When the Message Connector runs as a clustered service, the Message Connector Configuration application cannot restart the service, because the service is under control of the cluster. Simply save configuration changes, then take the service offline via Failover Cluster Management, and bring it online again.
- If you configure storage file to a non-default location, this file will not be removed when uninstalling the product.

Installing KC Plug-In on a Cluster

Prerequisites:

- Kofax Capture must be installed on all cluster nodes. The required batch classes must be available on each cluster node.
- 1 Stop all cluster nodes except one.
 - 2 Log on to the cluster node.
 - 3 Install KC Plug-In locally.

- 4 Configure KC Plug-In.
- 5 Stop the KC Plug-In service.
- 6 Change the Windows user under which KC Plug-In is running. The user must be a domain user with local administrator rights (same user for all cluster nodes).
- 7 Stop the cluster node.
- 8 Repeat steps 1-7 for all other nodes.
- 9 Continue with [Configuring Clustered Service and IP Address](#).

KC Plug-In configuration behaves differently when running in a clustered environment:

- All cluster nodes must have the same KC Plug-In configuration.

Configuring Clustered Service and IP Address

- 1 On the active cluster node, start Failover Cluster Manager from the Administrative Tools.
- 2 Open the cluster node in the tree view and right-click Services and Applications. Select Configure a Service or Application from the context menu. The High Availability Wizard starts.
- 3 When prompted to select a service or application from the list, choose Generic Service.
- 4 In the next screen, select the Message Connector or KC Plug-In service, as appropriate.
- 5 In the next screen, assign a name and an IP address to the clustered service. The clustered service will be available via this name and IP address later on.

Note If you are using SSL, use the name of the clustered service when requesting certificate.

- 6 When prompted to select the storage volume, select the shared disk.
- 7 Configure KC Plug-In, Message Connector, and all other applications (e.g., SMTP email clients) to access using the IP address assigned to the clustered service.

Availability of Clustered Service

Failover behavior is configurable via the Failover Cluster Management application. If the service stops, the cluster either restarts it or moves the ownership to another cluster node (i.e. starts the service on the other node). By default, there can be 2 service restarts within 6 hours before failover occurs.

For Message Connector, the failover takes about 2 - 3 minutes. During failover, no HTTP or SMTP connections are accepted. After a failover, clients can again access the Message Connector, using the same name and IP address. Configuration and stored messages are available as before. The list of POP3 mailboxes must be explicitly reloaded (this is done by the KC Plug-In).

Uninstalling Message Connector on a Failover Cluster

- 1 Using Failover Cluster Administration, take the clustered service offline and delete it.
- 2 Uninstall Message Connector on every node.

- 3** If you were using the shared storage mode, manually delete the storage file from the shared disk.

Network Load Balancing

The SMTP and web service part of Message Connector can run as a part of a Windows Network Load Balancing (NLB).

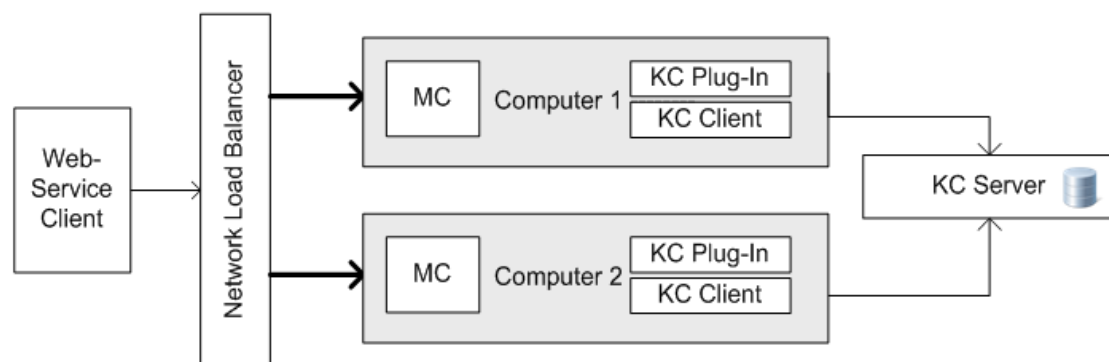
A Message Connector NLB cluster can be used to add scalability, load balancing, and high availability to the SMTP and web service in scenarios, where the sender SMTP or web service client can only be configured to send to a particular server machine defined by a single IP address.

The Windows NLB concept by itself provides failover only for the case when an NLB node in the cluster is completely shut down: NLB directs all TCP-based traffic automatically only to the working NLB nodes. However, NLB does not provide a failover solution for the case when a node is running but the TCP-based services on the node (in our case SMTP and web service listeners) have problems, or if the service is stopped.

Therefore, Message Connector includes a feature called NLB Port Control that monitors the health of its processes. In case of problems, the port control makes the node unavailable.

Simple variant

In this variant, either Windows NLB or a hardware NLB is used to divide load to two or more computers. All computers run in parallel. You can continue to add computers as needed.



Active/active Windows cluster

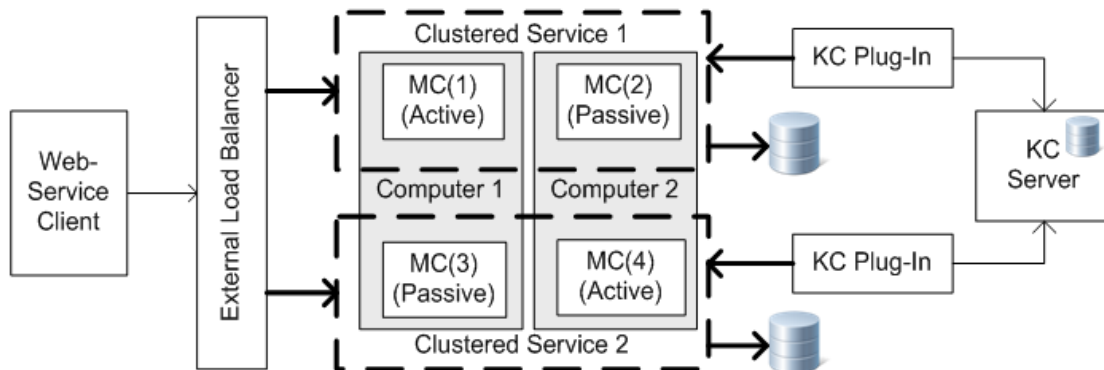
In the active/active Windows cluster, two independent instances of Message Connector run on a single computer. This variant combines network load balancing with failover.

During normal operation one of these Message Connectors is active on each computer so that system load is distributed across both computers.

If one machine fails, the passive instance on the second computer is activated and continues to process documents.

The active/active cluster configuration can be used with any input service. However, if you want to use SMTP or web service input with a single IP address, an external load balancer is required.

You could also run KC Plug-In as a clustered service, but this does not support the active/active scenario, because only one instance of KC Plug-In is supported on a computer.



Restrictions

The NLB port control still leaves some short unavailability time window (usually 1 to 8 seconds) when the failover is not provided and an SMTP/web service connection to the common NLB IP address fails. This occurs (always) in the following situations:

- Unavailability time window when Message Connector node stops abruptly: In this case it is the NLB (and not the port control) that handles this situation. NLB requires ~5 seconds to detect a failed node. NLB requires 2 to 3 seconds to remove the failed node and redistribute its load to the live nodes.
- Unavailability time window when a node starts. Some seconds elapse between when the NLB service starts (with enabled ports - depends on cluster host configuration) and when the Message Connector with port control starts. You can eliminate most of this delay by properly configuring the cluster: refer to [Installing Windows NLB](#), step 4c.
- Unavailability time window at Message Connector process crash. Some (1...3) seconds elapse until the Message Connector port control detects the crash and the disables the ports for NLB.

Nevertheless, if the SMTP/web service client supports retries, the second attempt will presumably be outside of this time window and the connection request will be directed to a working node.

Installing Windows NLB

- 1 Install Windows NLB on each Message Connector node.

On Windows Server 2008, NLB has to be installed as an additional feature of the operating system.

 - a Start Server Manager.
 - b Select **Features**.
 - c Click **Add Features**

- d** Select **Network Load Balancing**.
 - e** Click **Next**, then click **Install**.
- On Windows Server 2003, NLB has to be installed as an additional service in the Local Area Network Properties
- a** Start Windows Control Panel.
 - b** Go to Network Connections.
 - c** Right-click **Local Area Network** and select **Properties**.
 - d** Click **Install**.
 - e** Select **Service** and click **Add**.
 - f** Select **Network Load Balancing** and click **OK**.
 - g** Activate **Network Load Balancing** and click **Close**.
- 2** Configure a fixed IP address on each node.
- 3** The recommended method to create an NLB cluster is using the Windows Network Load Balancing Manager. Run "nlbmgr".
- 4** Create a new cluster:
- a** Right-click **Network Load Balancing Cluster** and select **New Cluster**.
 - b** Specify an IP address of one of the cluster hosts and click **Connect**. Select an interface and click **Next**.
 - c** It is recommended to change the **Default state** to **Suspended** and to select **Retain suspended state after computer restarts**. Message Connector updates the state after startup. Click **Next**.
 - d** Click **Add** and specify the cluster IP address. Click **OK**, then click **Next**.
 - e** In the Full Internet name field, enter the name of the cluster computer.
 - f** Select **Multicast** (unless you have at least 2 network adapters on each node). Click **Next**.
 - g** Click **Add** to add port rules for SMTP (default 25) and web service input (default 25087 for HTTP and 25088 for HTTPS). Select **Multiple host** as a **Filtering mode** and set **Affinity** to **None**.
 - h** Click **Finish**.
- 5** Add additional cluster nodes:
- a** Right-click the cluster and select **Add Host**.
 - b** Specify an IP address of the node and click **Connect**. Select an interface and click **Next**.
 - c** Click **Next**, then **Finish**.

Installing Multiple Message Connectors on One Computer

Multiple instances of Message Connector on one computer are required for the active/active Windows cluster configuration.

- 1 Install the first instance of Message Connector normally. Refer to [Installing Message Connector](#).
- 2 Install the second instance by clicking **Install Message Connector Instance 02 (optional)**. Follow the wizard to conclude the installation.
- 3 Install the third instance by clicking **Install Message Connector Instance 03 (optional)**. Follow the wizard to conclude the installation.

The default values of many parameters for the second and third instance are different from the first instance. Carefully review the configuration settings.

Licensing

Kofax Import Connector is licensed via Kofax Capture. KC Plug-In service does not start without a proper license. The following licenses are needed (depending on the features used):

- Kofax Capture station license (one license needed for each KC Plug-In)
- KIC-ED VRS license (optional; one license needed for each KC Plug-In)
- Kofax Import Connector feature licenses (one license needed for each feature on each Message Connector computer).
 - Email (SMTP, POP3, IMAP)
 - File (folder import)
 - FoIP (fax over IP)
 - Web Services
 - Fax Server

E.g., if you have two Message Connectors, and you run email import connector on both and web services on one, you need two email licenses and one license for web services.

You can verify that you have proper licenses for the configured features by clicking Test Feature Licenses in KC Plug-In configuration. You must stop the KC Plug-In service before you can test the licenses.

Upgrade

This chapter contains information and instructions for upgrading from Kofax Capture Import Connector - Advanced Email and Fax 1.0 to Kofax Import Connector 2.0.

In general, it is possible to simply run the Kofax Import Connector setup on a Kofax Capture Import Connector - Advanced Email and Fax computer and the software will be updated. Please review the following hints that might apply to your upgrade.

KCIC-AEF services running under a different user

If your Kofax Capture Import Connector - Advanced Email and Fax services ran under a non-default user (not the system user), when you upgrade to KIC-ED, this information is lost. To continue using the non-default user, change the user after upgrade.

Licensing

Your Kofax Capture Import Connector - Advanced Email and Fax licenses don't function with Kofax Import Connector. Get and install new licenses.

Changed message fields

The meaning of several message fields has changed:

- The KCIC-AEF field KfxRecipientNumber is now KfxRoutingNumber.
- (FoIP only) The KCIC-AEF field kfxOriginatorName is now kfxOriginatorNumber (TSI)
- (FoIP only) The KCIC-AEF field kfxOriginatorNumber is now kfxMessageReceptionCallerID (CallerId)

FoIP and SMTP inputs not enabled by default

You need to add the import connectors for FoIP and SMTP in the KC Plug-In configuration. Refer to *Kofax Import Connector Administrator's Guide* for instructions.

SMTP import: additional migration step needed with SSL enabled

If you were using SSL with SMTP import in KCIC-AEF, you need to set the Own Computer Name parameter in the General tab of KIC-ED Message Connector configuration. This parameter was previously (in KCIC-AEF) called OwnPCName in the Email Inbound tab.

Log files in new location

Log files and temporary files are now stored in the folder {Common-Application-Data}\Kofax\KIC-ED\.

ImageMagick can be uninstalled

In version 1.0, ImageMagick (a tool for converting images) was installed as a standalone item. In version 2.0, it is integrated in Message Connector and it is automatically installed along with it. After upgrading, you can safely uninstall the standalone ImageMagick via Add/Remove Programs.

Outgoing email changes

The MX lookup mode for outgoing email has changed. In 1.0, a host name configured in Message Connector was used for MX lookup. In 2.0, the **mail domain of the recipient**

is used (e.g., if the recipient is operator@kofax.com, "kofax.com" is used for MX lookup on the DNS). Essentially, Message Connector attempts to find the correct SMTP server automatically based on the recipient email address. If this does not work, change the SMTP Server Mode to either "A records" or "hosts file" and specify the SMTP server directly.

In version 1.0, outgoing email is used to send information about failed messages to an administrator. In 2.0, it can additionally be used to send email notifications to message originators.

Installing to new paths

If you simply upgrade the software by running version 2.0 setup, the software will be installed in the old folders (e.g. C:\Program Files\Kofax\KCIC-AEF). If you want to use the new default folders, refer to [Using New Paths When Upgrading Message Connector](#) and [Using New Paths When Upgrading KC Plug-In](#).

Using New Paths When Upgrading Message Connector

If you are upgrading Message Connector from KCIC-AEF to Kofax Import Connector but you want to use new installation and configuration folders, follow these steps:

- 1 Back up your Message Connector storage and configuration file. By default, these can be found:
 - <programs>\Kofax\KCIC-AEF\Message Connector\config\solutionconfig.xml
 - <programs>\Kofax\KCIC-AEF\Message Connector\storage.bin
- 2 Uninstall Kofax Capture Import Connector - Advanced Email and Fax - Message Connector.
- 3 Install Kofax Import Connector - Message Connector.
- 4 Stop Message Connector service.
- 5 Copy the backed up files to:
 - <programs>\Kofax\KIC-ED\MC\config\solutionconfig.xml
 - <programdata>\Kofax\KIC-ED\storage.bin
- 6 Start Message Connector configuration manually, by launching Configure.bat from <programs>\Kofax\KIC-ED\MC\.
- 7 In the Storage File field, enter the new path to the storage file.
- 8 Save and exit configuration.
- 9 Start Message Connector service.

Using New Paths When Upgrading KC Plug-In

If you are upgrading KC Plug-In from KCIC-AEF to Kofax Import Connector but you want to use new installation and configuration folders, follow these steps:

- 1 Back up your KC Plug-In configuration file and log configuration file. By default, these can be found:
 - <programdata>\Kofax\KCIC-AEF\KC Plug-In\config\KCIC AEF KC Plug-In.xml
 - <programdata>\Kofax\KCIC-AEF\KC Plug-In\LogConfig\log4net.config

- 2 Uninstall Kofax Capture Import Connector - Advanced Email and Fax - KC Plug-In.
- 3 Install Kofax Import Connector - KC Plug-In.
- 4 Rename the file "KCIC AEF KC Plug-In.xml" to "KIC-ED-KCPlugIn.xml".
- 5 Copy "KIC-ED-KCPlugIn.xml" to:
 - <programdata>\Kofax\KIC-ED\KCPlugIn\Config\
- 6 Copy "log4net.config" to:
 - <programdata>\Kofax\KIC-ED\KCPlugIn\LogConfig\
- 7 Start Kofax Capture Administration module from the Kofax Capture group in the Windows Start menu.
- 8 On the menu, select **Electronic Documents > Configuration**.
- 9 Verify that the configuration is correct.
- 10 Start KC Plug-In service.

